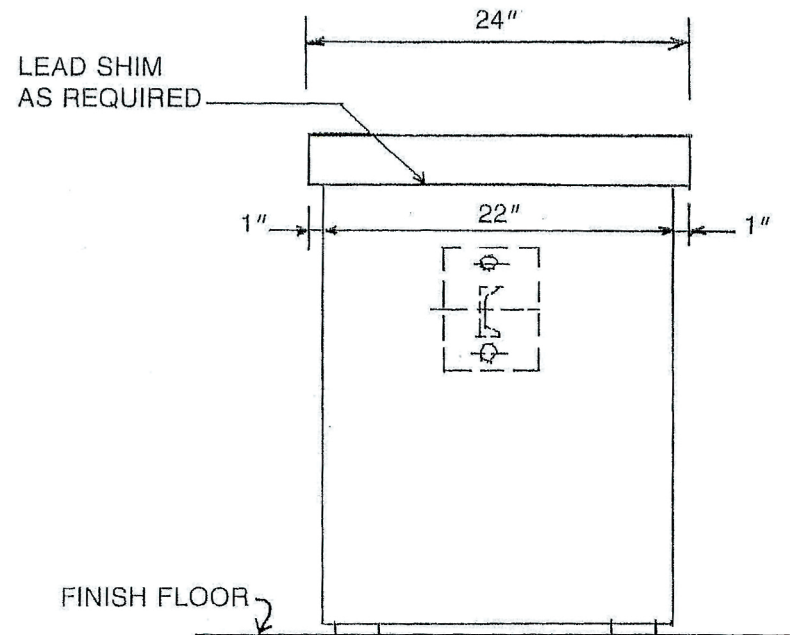


FRONT VIEW



SIDE VIEW

GREY GRANITE OR WHITE MARBLE BALANCE TABLE

PARTS LIST:

- 1 TOP 35" X 24" X 3"
- 2 LEGS 22" X 28" X 3"
- 1 STABILIZING BAR
- 4 HEX HEAD BOLTS 4" x 1/2"
- 4 HEX NUTS, L.W. & F.W.
- 4 VIBRATION DAMPENING MOUNTS 2 1/2" X 2 1/2" X 3/4"
- 8 LEAD SHIMS

MANUFACTURED BY
RUTLAND MARBLE & GRANITE CO.